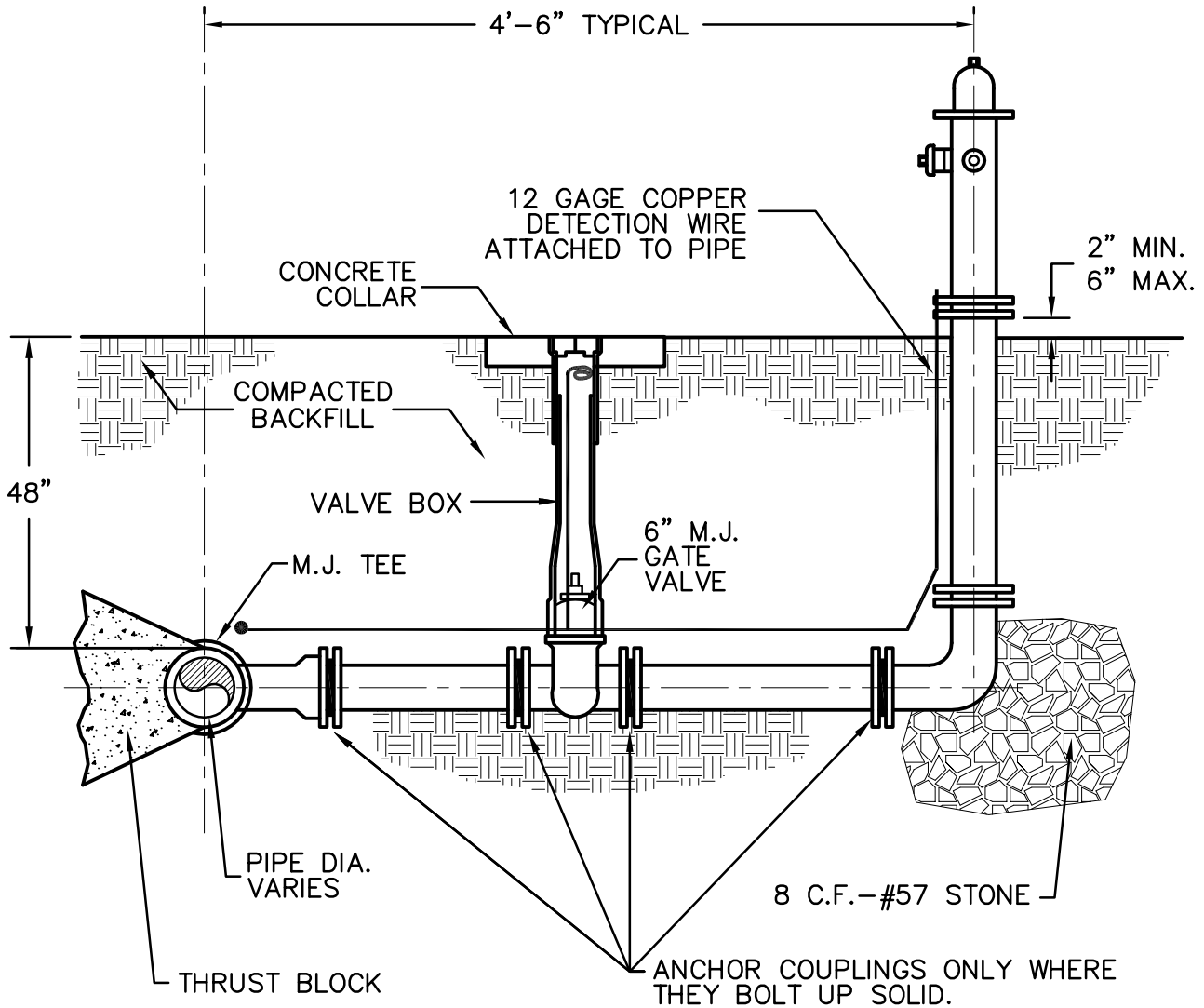


3-WAY FIRE HYDRANT PER SECTION 02645



NOTE:

1. INSTALL NON-METALLIC TAPE APPROXIMATELY 24" ABOVE PIPE.

TOWN OF BRASELTON WATER & SEWER DEPARTMENTS

JOB TITLE	SHEET TITLE	DRN. BY: EMI	REV. NO.	BY	DATE
		CKD BY:			
STANDARD DETAIL	FIRE HYDRANT ASSEMBLY	APPD. BY:			
		DATE: JAN. 2001			
		DETAIL No. W-7	FILE No. 03033\W-7.dwg	SCALE: N.T.S.	